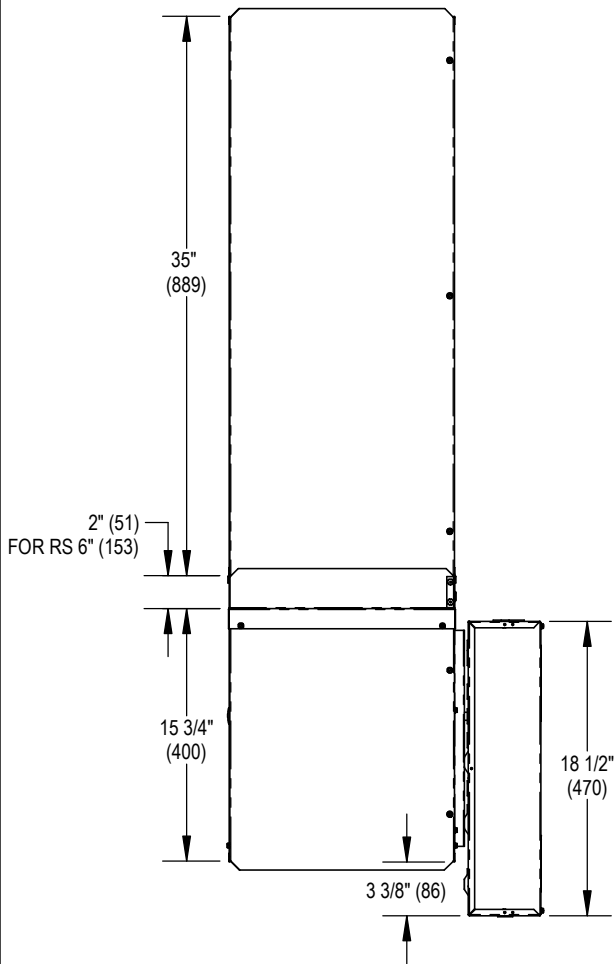


UNIT SIZE	INLET SIZES	WIDTH	HEIGHT
	D	W	H
4	3 <sup>7</sup> / <sub>8</sub> (98)	12 (305)	8 (203)
5	4 <sup>7</sup> / <sub>8</sub> (124)		
6	5 <sup>7</sup> / <sub>8</sub> (149)		
7	6 <sup>7</sup> / <sub>8</sub> (175)	14 (356)	10 (254)
8	7 <sup>7</sup> / <sub>8</sub> (200)		
9	8 <sup>7</sup> / <sub>8</sub> (225)		
10	9 <sup>7</sup> / <sub>8</sub> (251)	16 (406)	15 (381)
12	11 <sup>7</sup> / <sub>8</sub> (302)		
14	13 <sup>7</sup> / <sub>8</sub> (352)	20 (508)	17 <sup>1</sup> / <sub>2</sub> (445)
16	15 <sup>7</sup> / <sub>8</sub> (403)	24 (610)	18 (457)



**LOW LEAKAGE (NOT FACTORY TESTED) (LL) CONSTRUCTION:**

- 1" (25mm) THICK INTERNAL FIBERGLASS INSULATION WHICH MEETS REQUIREMENTS OF NFPA 90A AND UL181.
- 22 GAUGE GALVANIZED STEEL HOUSING. MECHANICALLY SEALED, LEAK RESISTANT CONSTRUCTION.
- RECTANGULAR INLET & DISCHARGE OPENING WITH SLIP AND DRIVE CLEAT DUCT CONNECTION.
- MULTI-POINT, CENTER AVERAGING AIRFLOW SENSOR.
- 1/2" (13mm) GALVANIZED DAMPER SHAFT WITH POSITION INDICATOR.
- RIGHT HAND UNIT SHOWN (CRH), LEFT HAND AVAILABLE.
- SEPARATE ATTENUATOR IS LOW LEAKAGE CONSTRUCTION.
- SEALANT APPLIED TO EXTERNAL SEAMS AS REQUIRED.

**CONTROLS OPTIONS:**

- FIELD MOUNTED CONTROLS, SUPPLIED BY OTHERS (FLD)
- FACTORY MOUNTED DIGITAL CONTROLS, SUPPLIED BY OTHERS (FAC)
- FACTORY MOUNTED DIGITAL CONTROLS, SUPPLIED BY PRICE (EHPD)

**UNIT OPTIONS:**

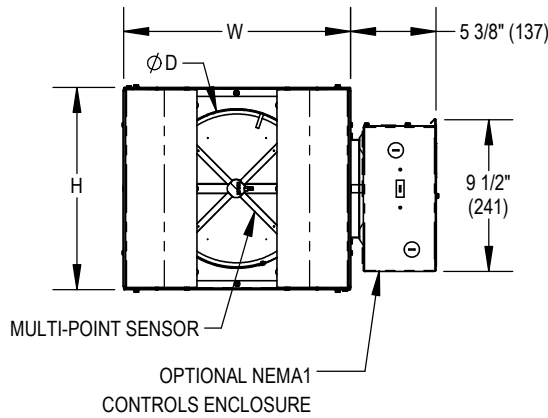
- NEMA1 CONTROLS ENCLOSURE (PS)
- DISCONNECT SWITCH (DSW)
- HANGER BRACKETS (HB)
- BRASS AIRFLOW SENSOR GAUGE TAPS (GT)

**TERMINAL LINER OPTIONS:**

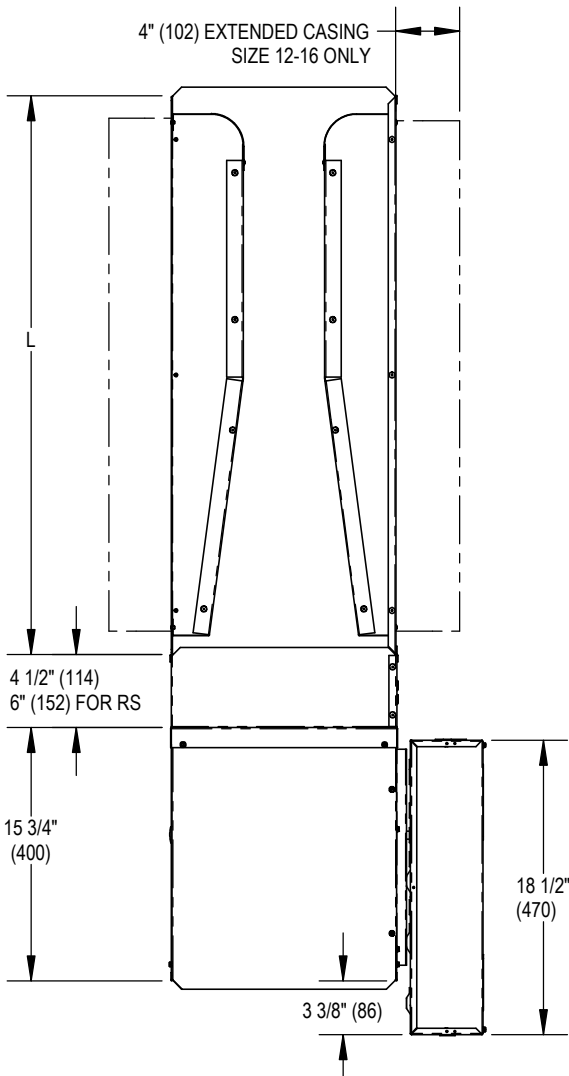
- FIBER FREE FOAM 1" (25mm) (FF1)
- SOLID METAL WITH FG1 (SM1)
- CLEANROOM ANGLES WITH FB1 (CRAF1)
- PERFORATED METAL WITH FB1 (AFPM1)
- CLEANROOM ANGLES (CA) WITH FG1 OR FF1

ALL METRIC DIMENSIONS [ ] ARE SOFT CONVERTED. IMPERIAL DIMENSIONS ARE CONVERTED TO METRIC AND ROUNDED TO THE NEAREST MILLIMETER.

<b>PROJECT:</b>		<b>price</b> <sup>®</sup>	
<b>ENGINEER:</b>			
<b>CUSTOMER:</b>		DRAWING NO: 276534	
<b>SUBMITTAL DATE:</b>	<b>SPEC. SYMBOL:</b>	DATE DRAWN: 2024-02-08	



UNIT SIZE	INLET SIZES	WIDTH	HEIGHT	LENGTH
	D	W	H	L
4	3 7/8 (98)	12 (305)	8 (203)	35 (889)
5	4 7/8 (124)			
6	5 7/8 (149)			
7	6 7/8 (175)			
8	7 7/8 (200)		10 (254)	
9	8 7/8 (225)	14 (356)	12 1/2 (318)	
10	9 7/8 (251)			
12	11 7/8 (302)	16 (406)	15 (381)	36 (914)
14	13 7/8 (352)	20 (508)	17 1/2 (445)	60 (1524)
16	15 7/8 (403)	24 (610)	18 (457)	



**LOW LEAKAGE (NOT FACTORY TESTED) (LL) CONSTRUCTION:**

- 1" (25mm) THICK INTERNAL FIBERGLASS INSULATION WHICH MEETS REQUIREMENTS OF NFPA 90A AND UL181.
- 22 GAUGE GALVANIZED STEEL HOUSING. MECHANICALLY SEALED, LEAK RESISTANT CONSTRUCTION.
- SILENCER MEDIUM PRESSURE STYLE, 22 GAUGE GALVANIZED CASING WITH 26GA PERFORATED LINER OVER FIBERGLASS ACOUSTIC MEDIA W/ POLYESTER FILM FACING & 1/2" ACOUSTIC STANDOFF
- RECTANGULAR INLET & DISCHARGE OPENING WITH SLIP AND DRIVE CLEAT DUCT CONNECTION.
- MULTI-POINT, CENTER AVERAGING AIRFLOW SENSOR.
- 1/2" (13mm) GALVANIZED DAMPER SHAFT WITH POSITION INDICATOR.
- RIGHT HAND UNIT SHOWN (CRH), LEFT HAND AVAILABLE.
- SILENCER IS STANDARD CONSTRUCTION.
- SEALANT APPLIED TO EXTERNAL SEAMS AS REQUIRED.

**CONTROLS OPTIONS:**

- FIELD MOUNTED CONTROLS, SUPPLIED BY OTHERS (FLD)
- FACTORY MOUNTED DIGITAL CONTROLS, SUPPLIED BY OTHERS (FAC)
- FACTORY MOUNTED DIGITAL CONTROLS, SUPPLIED BY PRICE (EHPD)

**UNIT OPTIONS:**

- NEMA1 CONTROLS ENCLOSURE (PS)
- DISCONNECT SWITCH (DSW)
- HANGER BRACKETS (HB)
- BRASS AIRFLOW SENSOR GAUGE TAPS (GT)

**TERMINAL LINER OPTIONS:**

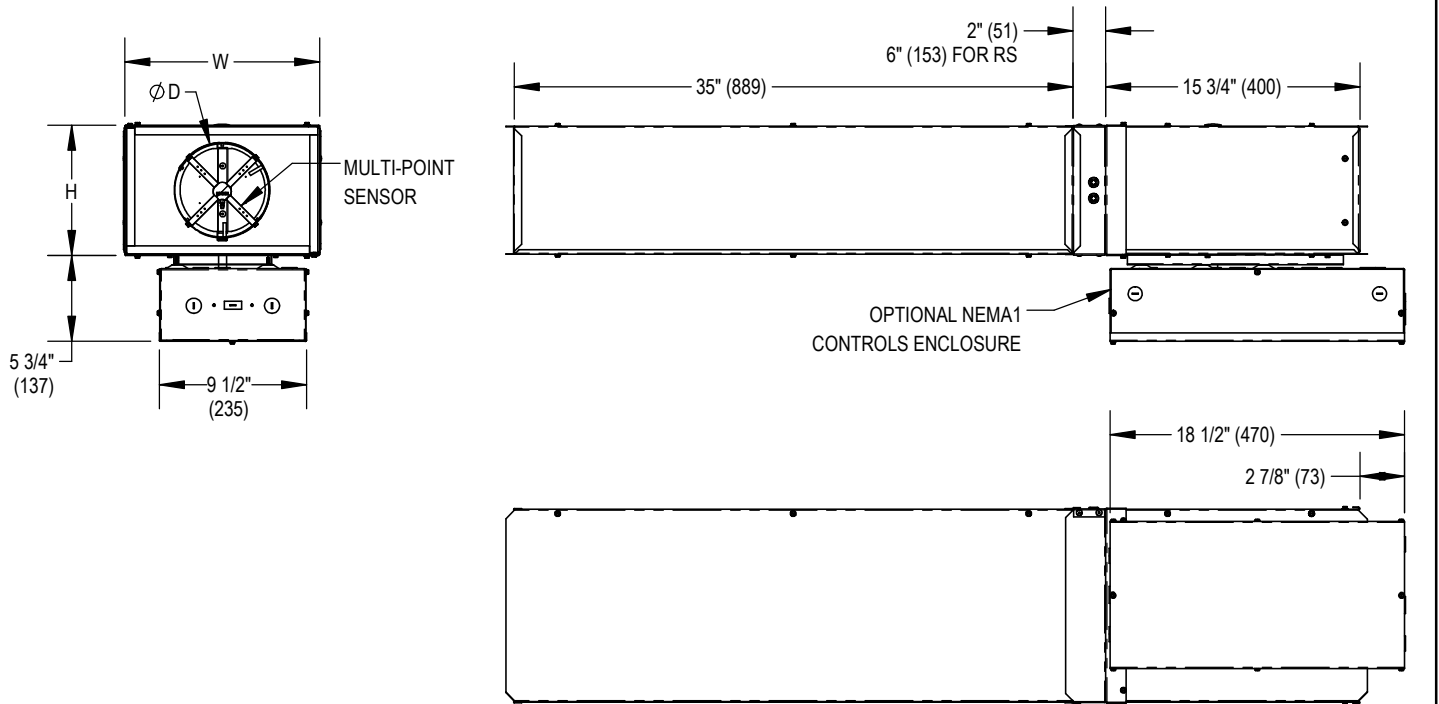
- FIBER FREE FOAM 1" (25mm) (FF1)
- SOLID METAL WITH FG1 (SM1)
- CLEANROOM ANGLES WITH FB1 (CRAF1)
- PERFORATED METAL WITH FB1 (AFPM1)
- CLEANROOM ANGLES (CA) WITH FG1 OR FF1

**SILENCER LINER OPTIONS:**

- FIBERGLASS CLOTH (FC)

ALL METRIC DIMENSIONS [ ] ARE SOFT CONVERTED. IMPERIAL DIMENSIONS ARE CONVERTED TO METRIC AND ROUNDED TO THE NEAREST MILLIMETER.

<b>PROJECT:</b>		<b>PRICE</b> <sup>®</sup>	
<b>ENGINEER:</b>		APPROVED BY: GH	<b>SDE</b> SINGLE DUCT EXHAUST VARIABLE VOLUME LOW LEAKAGE OPTION W/ SILENCER
<b>CUSTOMER:</b>		DRAWING NO: 276534	
<b>SUBMITTAL DATE:</b>		DATE DRAWN: 2024-02-08	
<b>SPEC. SYMBOL:</b>			



UNIT SIZE	INLET SIZES	WIDTH	HEIGHT
	D	W	H
4	3 7/8 (98)	12 (305)	8 (203)
5	4 7/8 (124)		
6	5 7/8 (149)		
7	6 7/8 (175)		
8	7 7/8 (200)	14 (356)	10 (254)
9	8 7/8 (225)		
10	9 7/8 (251)		
12	11 7/8 (302)	16 (406)	15 (381)
14	13 7/8 (352)	20 (508)	17 1/2 (445)
16	15 7/8 (403)	24 (610)	18 (457)

**STANDARD CONSTRUCTION:**

- 1" (25mm) THICK INTERNAL FIBERGLASS INSULATION WHICH MEETS REQUIREMENTS OF NFPA 90A AND UL181.
- 22 GAUGE GALVANIZED STEEL HOUSING. MECHANICALLY SEALED, LEAK RESISTANT CONSTRUCTION.
- RECTANGULAR INLET & DISCHARGE OPENING WITH SLIP AND DRIVE CLEAT DUCT CONNECTION.
- MULTI-POINT, CENTER AVERAGING AIRFLOW SENSOR.
- 1/2" (13mm) GALVANIZED DAMPER SHAFT WITH POSITION INDICATOR.

**CONTROLS OPTIONS:**

- FIELD MOUNTED CONTROLS, SUPPLIED BY OTHERS (FLD)
- FACTORY MOUNTED DIGITAL CONTROLS, SUPPLIED BY OTHERS (FAC)
- FACTORY MOUNTED DIGITAL CONTROLS, SUPPLIED BY PRICE (EHPD)

**UNIT OPTIONS:**

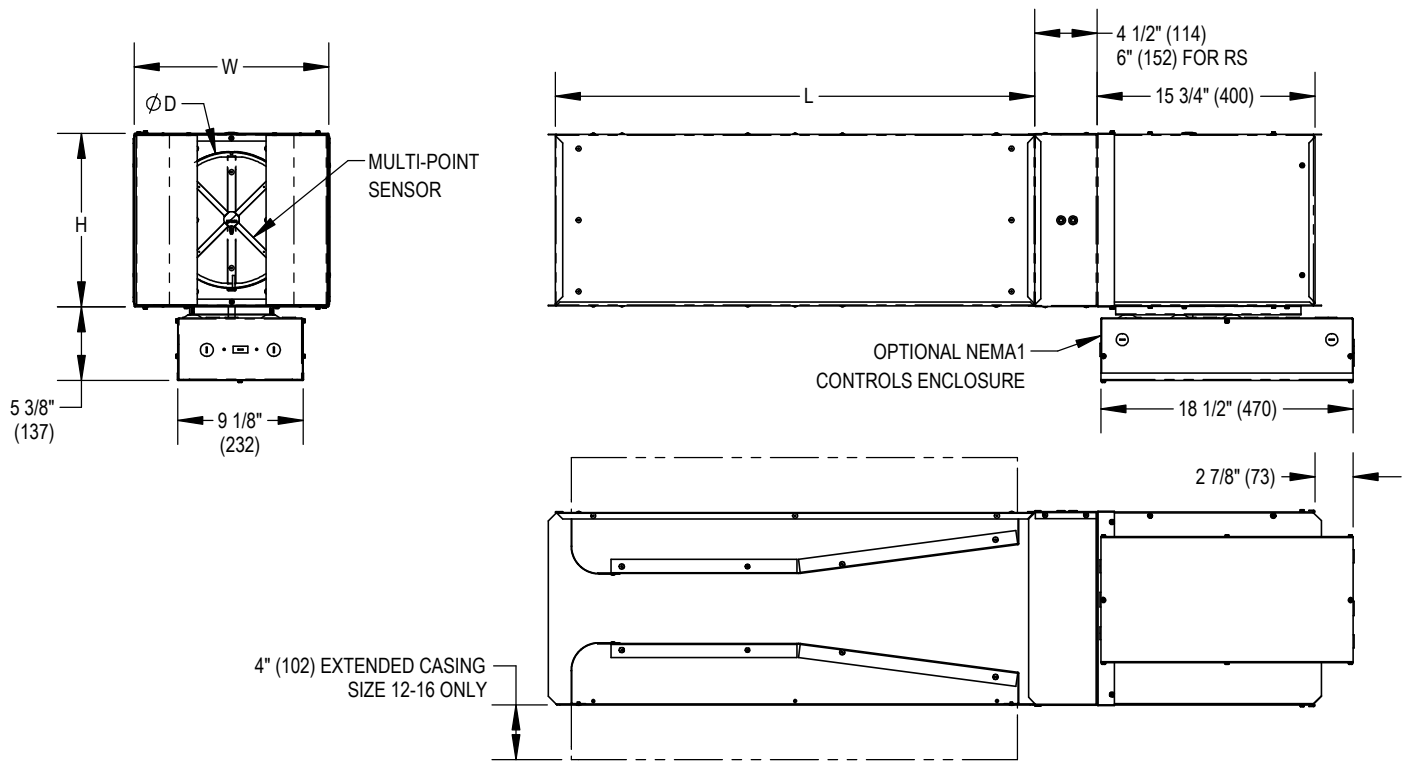
- NEMA1 CONTROLS ENCLOSURE (PS)
- DISCONNECT SWITCH (DSW)
- HANGER BRACKETS (HB)
- BRASS AIRFLOW SENSOR GAUGE TAPS (GT)

**LINER OPTIONS:**

- FIBER FREE FOAM 1" (25mm) (FF1)
- SOLID METAL WITH FG1 (SM1)
- CLEANROOM ANGLES WITH FB1 (CRAF1)
- PERFORATED METAL WITH FB1 (AFPM1)
- CLEANROOM ANGLES (CA) WITH FG1 OR FF1

ALL METRIC DIMENSIONS [ ] ARE SOFT CONVERTED. IMPERIAL DIMENSIONS ARE CONVERTED TO METRIC AND ROUNDED TO THE NEAREST MILLIMETER.

<b>PROJECT:</b>		<b>price</b> <sup>®</sup>	
<b>ENGINEER:</b>		APPROVED BY: GH	<b>SDE SINGLE DUCT EXHAUST VARIABLE VOLUME CONTROL BOTTOM W/ ATTENUATOR</b>
<b>CUSTOMER:</b>		DRAWING NO: 276535	
<b>SUBMITTAL DATE:</b>	<b>SPEC. SYMBOL:</b>	DATE DRAWN: 2024-02-13	



UNIT SIZE	INLET	WIDTH	HEIGHT	LENGTH
	D	W	H	L
4	3 7/8 (98)	12 (305)	8 (203)	35 (889)
5	4 7/8 (124)			
6	5 7/8 (149)			
7	6 7/8 (175)			
8	7 7/8 (200)			
9	8 7/8 (225)	14 (356)	12 1/2 (318)	60 (1524)
10	9 7/8 (251)			
12	11 7/8 (302)			
14	13 7/8 (352)	20 (508)	17 1/2 (445)	60 (1524)
16	15 7/8 (403)	24 (610)	18 (457)	

**STANDARD CONSTRUCTION:**

- 1" (25mm) THICK INTERNAL FIBERGLASS INSULATION WHICH MEETS REQUIREMENTS OF NFPA 90A AND UL181.
- 22 GAUGE GALVANIZED STEEL HOUSING. MECHANICALLY SEALED, LEAK RESISTANT CONSTRUCTION.
- SILENCER MEDIUM PRESSURE STYLE, 22 GAUGE GALVANIZED CASING WITH 28 GAUGE PERFORATED LINER OVER FIBERGLASS ACOUSTIC MEDIA W/ POLYESTER FILM FACING & 1/2" ACOUSTIC STANDOFF
- RECTANGULAR INLET & DISCHARGE OPENING WITH SLIP AND DRIVE CLEAT DUCT CONNECTION.
- MULTI-POINT, CENTER AVERAGING AIRFLOW SENSOR.
- 1/2" (13mm) GALVANIZED DAMPER SHAFT WITH POSITION INDICATOR.

**CONTROLS OPTIONS:**

- FIELD MOUNTED CONTROLS, SUPPLIED BY OTHERS (FLD)
- FACTORY MOUNTED DIGITAL CONTROLS, SUPPLIED BY OTHERS (FAC)
- FACTORY MOUNTED DIGITAL CONTROLS, SUPPLIED BY PRICE (EHPD)

**UNIT OPTIONS:**

- NEMA1 CONTROLS ENCLOSURE (PS)
- DISCONNECT SWITCH (DSW)
- HANGER BRACKETS (HB)
- BRASS AIRFLOW SENSOR GAUGE TAPS (GT)

**TERMINAL LINER OPTIONS:**

- FIBER FREE FOAM 1" (25mm) (FF1)
- SOLID METAL WITH FG1 (SM1)
- CLEANROOM ANGLES WITH FB1 (CRAF1)
- PERFORATED METAL WITH FB1 (AFPM1)
- CLEANROOM ANGLES (CA) WITH FG1 OR FF1

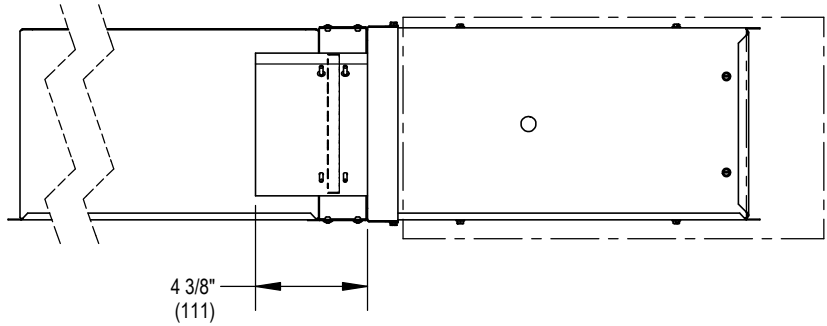
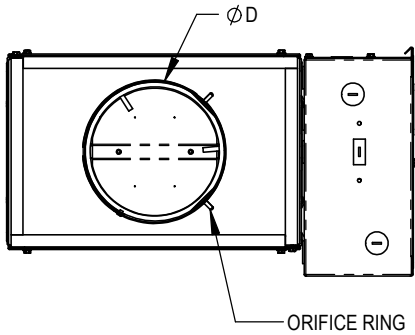
**SILENCER LINER OPTIONS:**

- FIBERGLASS CLOTH (FC)

ALL METRIC DIMENSIONS [ ] ARE SOFT CONVERTED. IMPERIAL DIMENSIONS ARE CONVERTED TO METRIC AND ROUNDED TO THE NEAREST MILLIMETER.

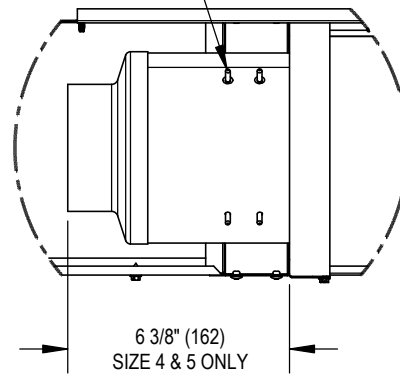
<b>PROJECT:</b>		<b>PRICE</b> <sup>®</sup>	
<b>ENGINEER:</b>		APPROVED BY: GH	<b>SDE SINGLE DUCT EXHAUST VARIABLE VOLUME CONTROL BOTTOM W/ SILENCER</b>
<b>CUSTOMER:</b>		DRAWING NO: 276535	
<b>SUBMITTAL DATE:</b>	<b>SPEC. SYMBOL:</b>	DATE DRAWN: 2024-02-13	

□ ORF - ORIFICE RING SENSOR



UNIT SIZE	INLET SIZES
	D
4	$3 \frac{7}{8}''$ (98)
5	$4 \frac{7}{8}''$ (124)
6	$5 \frac{7}{8}''$ (149)
7	$6 \frac{7}{8}''$ (175)
8	$7 \frac{7}{8}''$ (200)
9	$8 \frac{7}{8}''$ (225)
10	$9 \frac{7}{8}''$ (251)
12	$11 \frac{7}{8}''$ (302)
14	$13 \frac{7}{8}''$ (352)
16	$15 \frac{7}{8}''$ (403)

PRESSURE TAPS (4 PER UNIT)



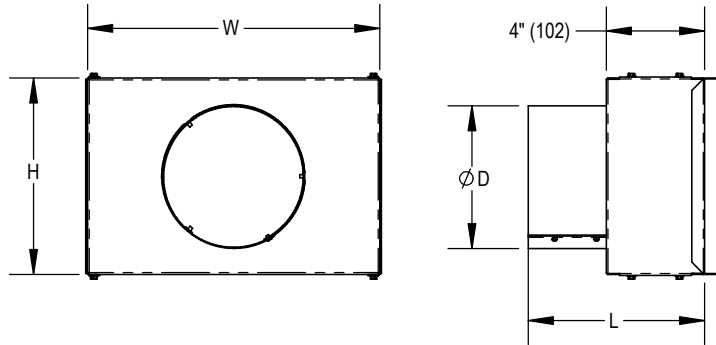
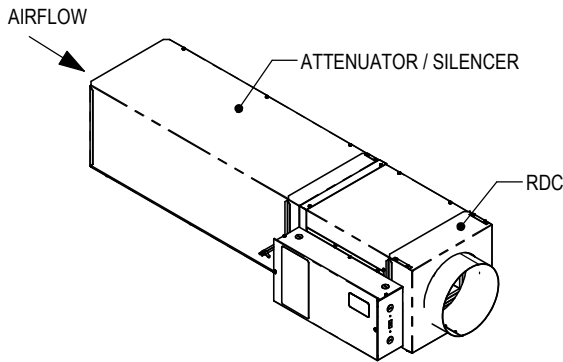
**STANDARD CONSTRUCTION:**

- 20GA. ZINC COATED STEEL ORIFICE RING.
- RIGHT HAND UNIT SHOWN (CRH), LEFT HAND AVAILABLE.

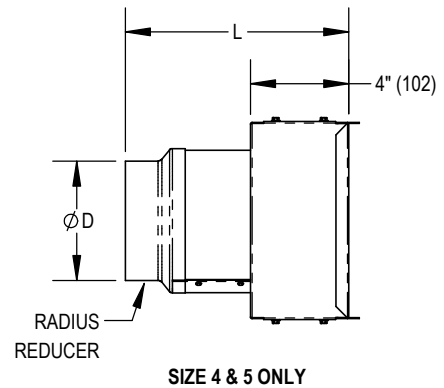
ALL METRIC DIMENSIONS [ ] ARE SOFT CONVERTED. IMPERIAL DIMENSIONS ARE CONVERTED TO METRIC AND ROUNDED TO THE NEAREST MILLIMETER.

<b>PROJECT:</b>		<b>PRICE</b> <sup>®</sup>	
<b>ENGINEER:</b>		APPROVED BY: GH	<b>SDE SINGLE DUCT EXHAUST VARIABLE VOLUME INLET OPTION SENSOR</b>
<b>CUSTOMER:</b>		DRAWING NO: 276536	
<b>SUBMITTAL DATE:</b>	<b>SPEC. SYMBOL:</b>	DATE DRAWN: 2024-02-07	

**RDC - ROUND DISCHARGE COLLAR**



UNIT SIZE	DISCHARGE SIZE	WIDTH	HEIGHT	LENGTH	
	D	W	H	L	
4	3 7/8 (98)	12 (305)	8 (203)	9 5/16 (237)	
5	4 7/8 (124)		10 (254)		
6	5 7/8 (149)		14 (356)	12 1/2 (318)	7 5/16 (186)
7	6 7/8 (175)			15 (381)	
8	7 7/8 (200)			17 1/2 (445)	
9	8 7/8 (225)	18 (457)			
10	9 7/8 (251)	20 (508)			
12	11 7/8 (302)	24 (610)			
14	13 7/8 (352)				
16	15 7/8 (403)				



**STANDARD CONSTRUCTION:**

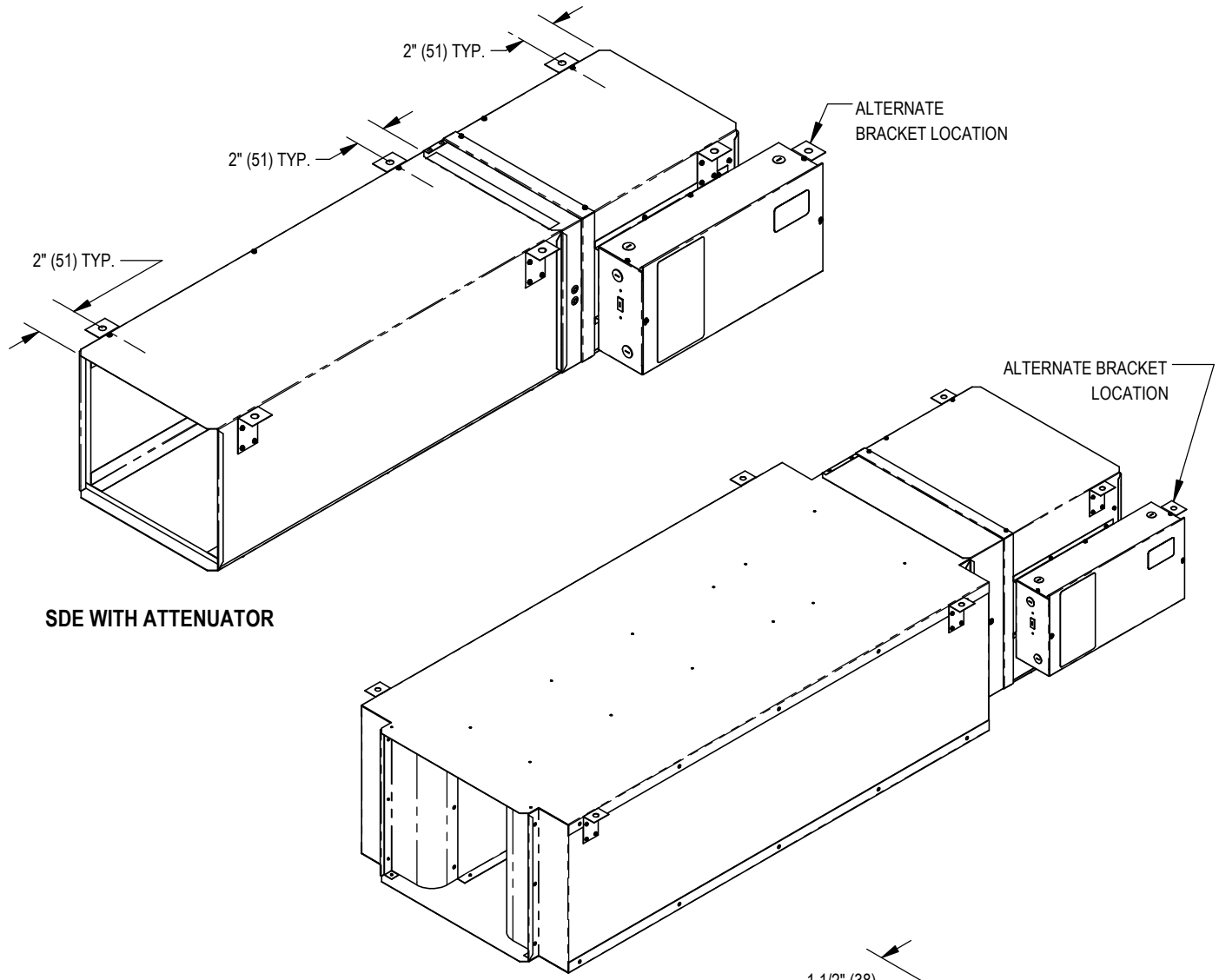
- 1" (25mm) THICK INTERNAL FIBERGLASS INSULATION WHICH MEETS REQUIREMENTS OF NFPA 90A AND UL181.
- 22 GAUGE GALVANIZED STEEL HOUSING.
- SLIP AND DRIVE CLEAT DUCT CONNECTION.

**LINER OPTIONS:**

- FIBER FREE FOAM 1" (25mm) (FF1)
- SOLID METAL WITH FG1 (SM1)
- CLEANROOM ANGLES WITH FB1 (CRAF1)
- PERFORATED METAL WITH FB1 (AFPM1)
- CLEANROOM ANGLES (CA) WITH FG1 OR FF1

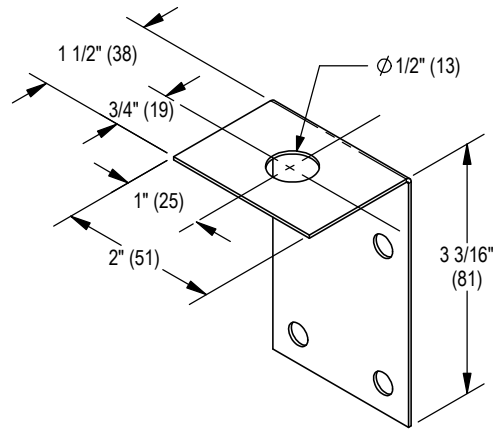
ALL METRIC DIMENSIONS [ ] ARE SOFT CONVERTED. IMPERIAL DIMENSIONS ARE CONVERTED TO METRIC AND ROUNDED TO THE NEAREST MILLIMETER.

<b>PROJECT:</b>		<b>PRICE</b> <sup>®</sup>	
<b>ENGINEER:</b>		APPROVED BY: 	<b>SDE SINGLE DUCT EXHAUST VARIABLE VOLUME ROUND DISCHARGE COLLAR</b>
<b>CUSTOMER:</b>		DRAWING NO: 276537	
<b>SUBMITTAL DATE:</b>	<b>SPEC. SYMBOL:</b>	DATE DRAWN: 2024-02-07	



**SDE WITH ATTENUATOR**

**SDE WITH SILENCER**



**STANDARD CONSTRUCTION:**

- HANGER BRACKETS ARE 12 GAUGE GALVANIZED STEEL.
- 6 BRACKETS PER UNIT. 2 FOR TERMINAL UNIT, 4 FOR SILENCER/ATTENUATOR
- LAYOUT INDICATES SUGGESTED HANGER BRACKET LOCATIONS.
- BRACKETS ARE SHIPPED LOOSE FOR FIELD INSTALLATION
- FOR USE WITH FASTENERS AND THREADED HANGER RODS (BY OTHERS)

ALL METRIC DIMENSIONS [ ] ARE SOFT CONVERTED. IMPERIAL DIMENSIONS ARE CONVERTED TO METRIC AND ROUNDED TO THE NEAREST MILLIMETER.

<b>PROJECT:</b>		<b>PRICE</b> <sup>®</sup>	
<b>ENGINEER:</b>		APPROVED BY: GH	<b>SDE SINGLE DUCT EXHAUST VARIABLE VOLUME HANGER BRACKET</b>
<b>CUSTOMER:</b>		DRAWING NO: 276540	
<b>SUBMITTAL DATE:</b>	<b>SPEC. SYMBOL:</b>	DATE DRAWN: 2024-02-09	